

Operating instructions ARCUS®.



Always on the safe side.



KaVo. Dental Excellence.

Vertrieb/distribution:

KaVo Dental GmbH

Bismarckring 39 • D-88400 Biberach

Tel.: 0 73 51 / 56-0 • Fax: 0 73 51 / 1488

Hersteller/manufacturer:

Kaltenbach & Voigt GmbH

Bismarckring 39

D-88400 Biberach





ARCUS®.


A 1	User information	2
	A 1.1 Meaning of the pictograms	2
	A 1.2 Important information	2
	A 1.3 Precautions	2
	A 1.4 Purpose and potential uses	3
A 2	Scope of delivery – Accessories	3
	A 2.1 Scope of delivery	3
	A 2.2 Accessories supplied on request:	3
A 3	Controls and functional elements	4
A 4	Preparations for commencing operation	4
A 5	Commencing operation and application of the facial bow (mean value) in accordance with Frankfurt horizontal plane or Camper’s plane	5
	A 5.1 Removal of facial bow	6
A 6	Maintenance	7
A 7	Technical data	8
	A 7.1 Definition of planes and refe-rence points	8
	A 7.2 Dimensions and weights	8
	Guarantee conditions	9
	Spare parts	9


A 1 User information

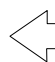
A 1.1 Meaning of the pictograms

 Situations where failure to follow the instructions may lead to danger, damage to material or operating faults.

 Important information for operator and engineer.


 Automatic mode
Automatic sequence


 Close, screw in, fasten, etc.

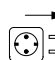
 Open, release, loosen

+ more, higher


- less, lower

 Continuous operation

 Time, time sequence

 Disconnect mains plug

A 1.2 Important information

 *The instructions for use should be read by the user before starting up the unit for the first time, in order to avoid incorrect operation and other damage. If other language versions are required, please request these from your responsible KaVo agent. Duplication and distribution of the instructions for use (IU) require KaVo's prior consent.*

All technical data, information and properties of the product described in the IU correspond to the state on going to press.

Modifications and improvements to the product as a result of new technical developments are possible.

This does not imply any right to retrofitting of existing units.

KaVo assumes no responsibility for damage arising through:

- external influences (poor quality of the media or inadequate installation)
- use of incorrect information
- improper use
- improperly performed repairs.

Repair and maintenance work - apart from the activities described in these instructions for use - may be performed only by qualified technical personnel.

In the event of modifications by third parties, the approvals become null and void. KaVo recommends using only original spare parts for operation and for repair.

The ARCUS facebow is

- intended only for use in dentistry, and use for any other purpose is not permitted and may be dangerous,
- a medical product in accordance with the relevant national legal provisions,

A 1.3 Precautions

Safe operation and protection of the unit are ensured only through proper use in accordance with the instructions for use and using the tools approved for the purpose. The following should also be observed:

- the work safety regulations,
- the accident prevention regulations.



■ *Each time before switching on, check the set speed.*

■ *Observe the permissible maximum speed and maximum pressure of the tools (according to tool manufacturer's instructions).*

According to these provisions, it is the user's obligation:

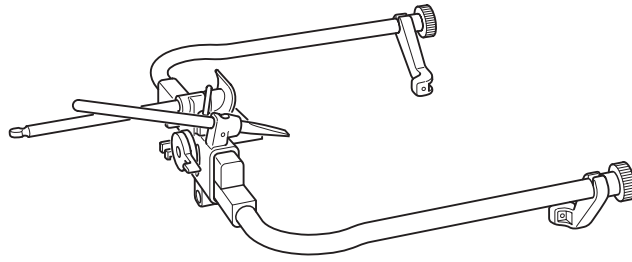


- *to use only fault-free operating materials*
- *to ensure that it is used for the correct purpose*
- *to protect the patients and third parties from danger*
- *to avoid contamination by the product*

ARCUS®.

A 1.4 Purpose and potential uses

The facebow detects the position of the patient's upper jaw. With the aid of the facebow, a working model or tyodont can be fitted in the correct position into an articulator in prosthetic work.



A 2 Scope of delivery – Accessories

A 2.1 Scope of delivery

Check that the equipment is complete:

Facial bow Arcus

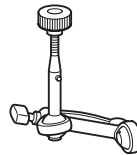
Nasal support

Reference pointer

Earpieces

Joint piece

Bite fork

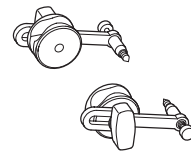


A 2.2 Accessories supplied on request:

Hinge axe pointer

Instructions for use ARCUS

Mat.-No. 0.488.5774



ARCUS®.

A 3 Controls and functional elements

The facebow from is used for detecting the position of the upper jaw according to the Frankfurt horizontal plane and the Camper's plane (CE). With the aid of the facebow, the model of the upper jaw can be transferred in the correct position to the PROTAR articulator.

① Bow

② Earpieces

③ Fixing nuts for earpieces

④ Nasal support

⑤ Fixing lever for nasal support

⑥ Reference pointer for FH + CE

⑦ Clamping lever for adjusting facial width

⑧ Fixing nuts for the joint piece on the Arcus

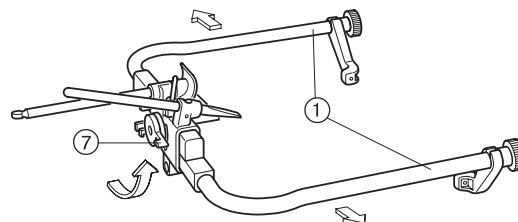
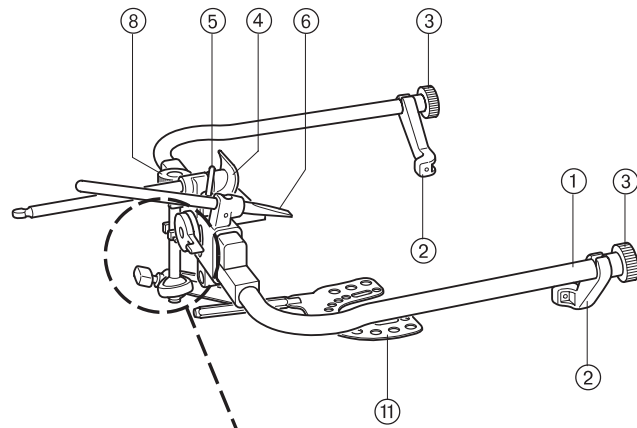
⑨ Joint piece

⑩ T-screw of joint piece

⑪ Bite fork

A 4 Preparations for commencing operation

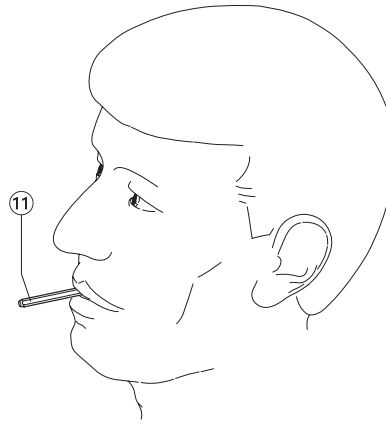
Open clamping lever ⑦ and pull out facial bow ①.



ARCUS®.

A 5 Commencing operation and application of the facial bow (mean value) in accordance with Frankfurt horizontal plane or Camper's plane

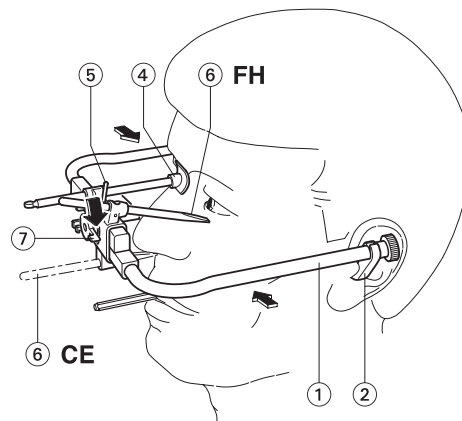
Place prepared bite fork ⑪ in the mouth of the patient.



Close the facial bow ① to the facial width of the patient, and place the earpieces ② of the facial bow ① in the external auditory channel of the patient. Close the clamping lever ⑦ again.

Fix the nasal support ④ by means of the fixing lever ⑤.

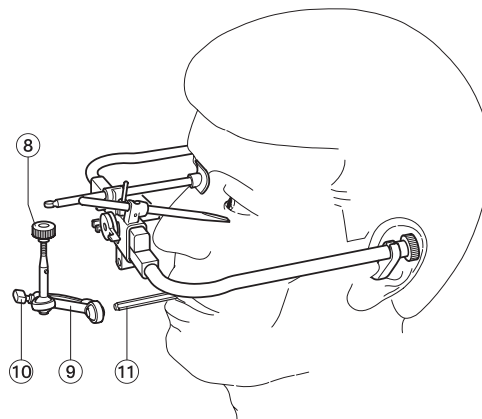
Measure the reference points, infraorbital point for the Frankfurt horizontal plane or subnasal point for the Camper's plane for the patient by means of the reference pointer ⑥. Carefully move the pointer towards the patient's sub-orbital region.



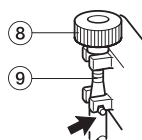
If the Camper's plane is to be used, it is only necessary to reverse the reference pointer ⑥.

i Never work simultaneously with both planes!

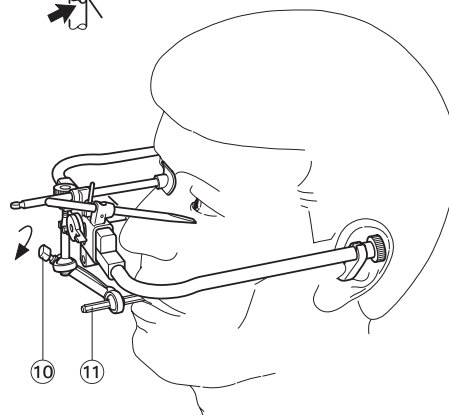
Release T-screw ⑩. Push joint piece ⑨ on to bite fork ⑪.



Connect joint piece ⑨ to facial bow, and secure with fixing nut ⑧; the guide pins of the joint piece ⑨ must slide into the guide groove of the facial bow.



Fix the bite fork ⑪ by tightening the T-screw ⑩.



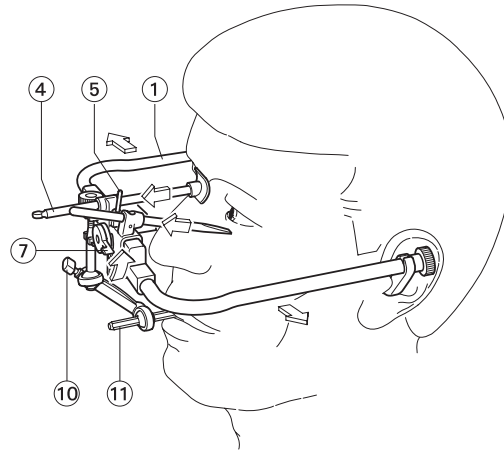
A 5.1 Removal of facial bow

Open the fixing lever ⑤ of the nasal support, push back and fix nasal support ④.

Place thumb on facial bow and open clamping lever ⑦, pull apart facial bow 1.

Remove facial bow complete with bite fork ⑪ fixed in correct position from patient.

Transfer to articulator; cf. operating instructions Articulator, items A 6. to A 6.2



ARCUS®.

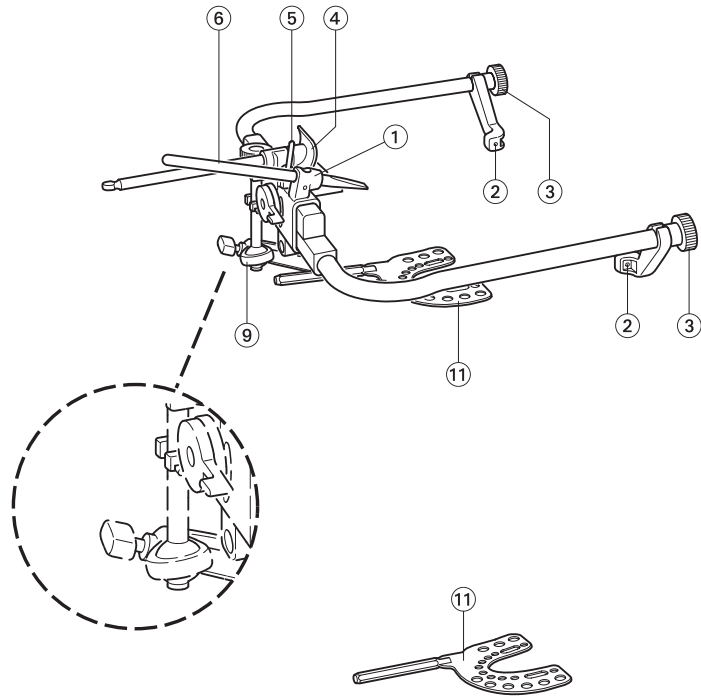
A 6 Maintenance



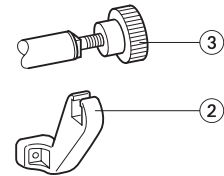
Desinfect the entire facebow after each use.



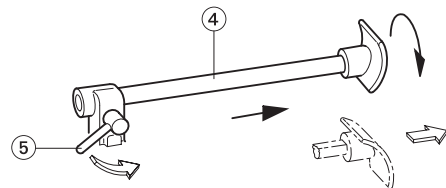
The bite fork (11) should however be sterilised after each use.



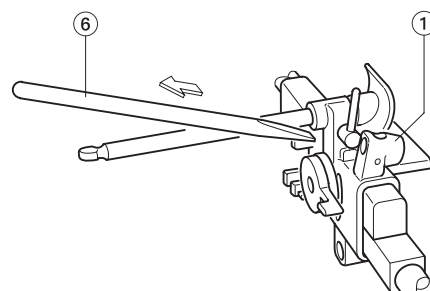
The earpieces (2) can be sterilised and disinfected. Release fixing nuts (3) and remove earpieces (2).



The nasal support (4) can be removed, sterilised and disinfected. Release fixing lever (5), pull out nasal support (4) to stop, rotate through 180° and pull out complete from the facial bow (1).



The reference pointer (6) can be removed, sterilised and disinfected. The reference pointer (6) can be pulled out of the facial bow (1).



A 7 Technical data

A 7.1 Definition of planes and reference points

Definition:

Frankfurt horizontal plane ② (FH)

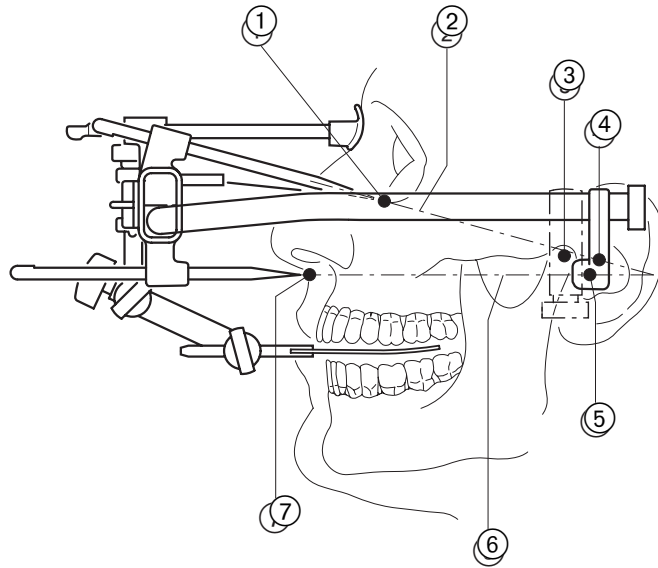
Connection between infra-orbital point ① and porion ④

Definition:

Camper's plane ⑥ (CE)

Connection between subnasal point ⑦ and tragus medialis ⑤

Angle difference: FH : CE = 15°

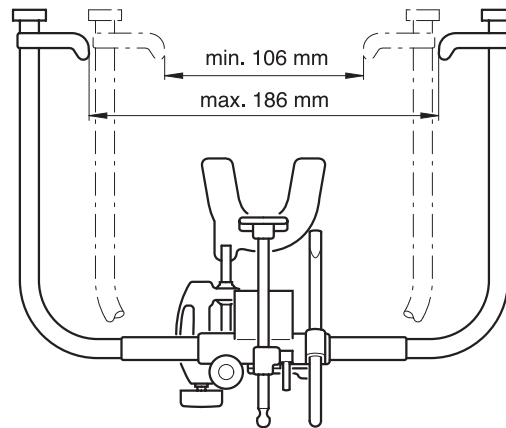


A 7.2 Dimensions and weights

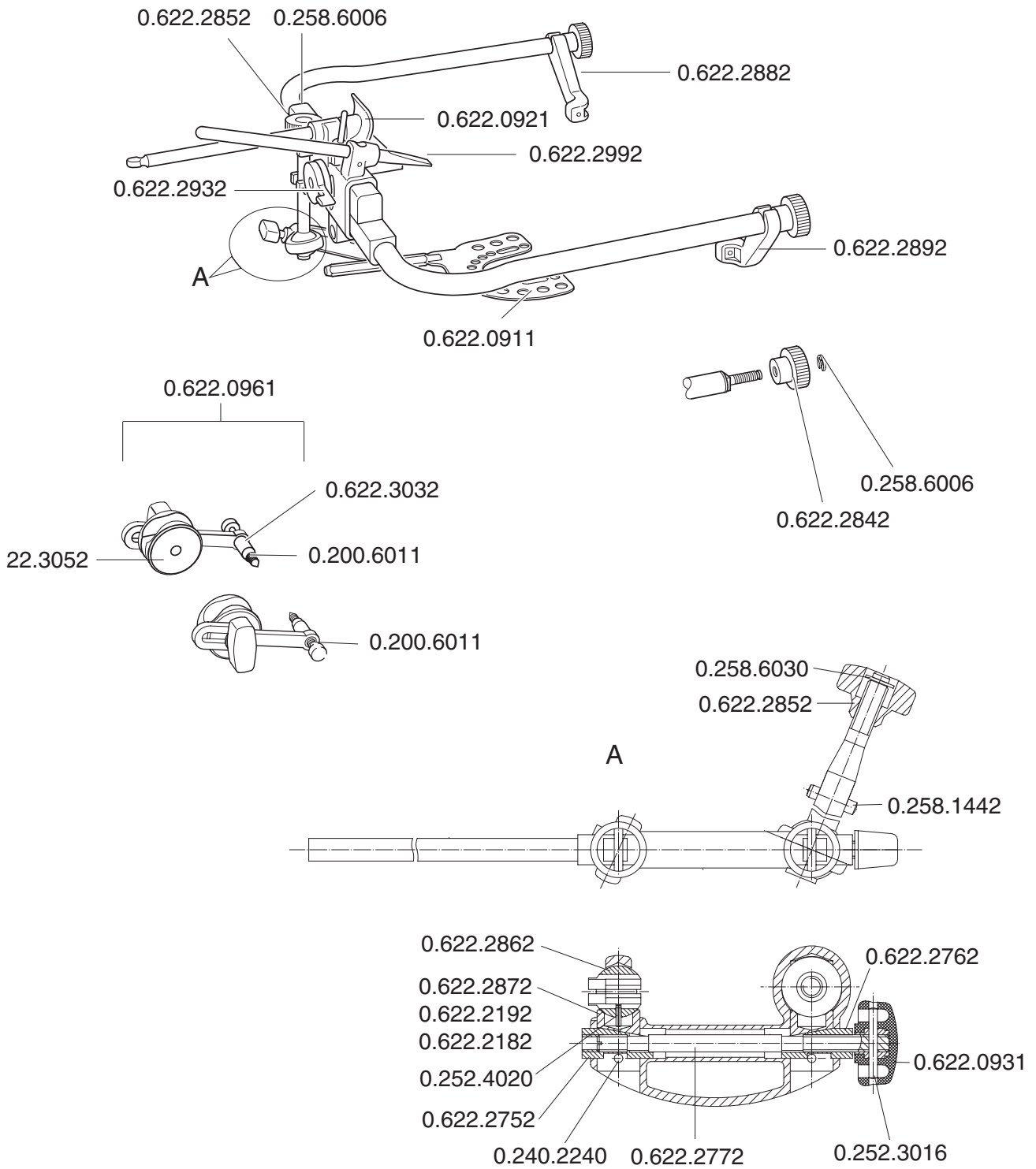
Facial width adjustment between 106 mm and 186 mm

Facial bow: 200 g

Joint piece with bite fork: 100 g



We reserve the right to make any alterations.



Guarantee conditions

Within the framework of applicable KaVo delivery and payment conditions, KaVo guarantees proper function, freedom from flaws in material and manufacturing for a period of 12 months from the date of purchase demonstrated by the purchaser. In case of justified complaints, KaVo will honor its warranty with a free replacement or repair.

The warranty does not cover defects and their consequences that arose or may have arisen due to natural wear, improper handling, cleaning or maintenance, noncompliance with operating, maintenance or connection instructions, corrosion, contaminated media supply or chemical or electrical influences deemed abnormal or impermissible in accordance with factory specifications.

The warranty does not usually cover lamps, light conductors made of glass and glass fibers, glassware, rubber parts and the colourfastness of plastic parts.

The warranty expires when defects or their consequences can arise from manipulations or changes to the product. Warranty claims can only be asserted when they are immediately reported to KaVo in writing.

This notification must be accompanied by a copy of the invoice or delivery note on which the manufacturing number is clearly visible. In addition to the guaranty, the statutory warranty claims of the purchaser also apply with a warranty period of 12 months.



KaVo. Dental Excellence.

KaVo Dental GmbH. D-88400 Biberach/Riss
Telefon +49 7351 56-0 Fax +49 7351 56-1488
Internet: www.kavo.com